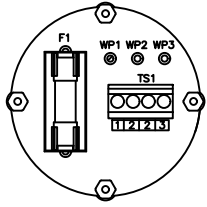


Mining Controls LLC.  
P.O. Box 1141  
Beckley, WV 25802  
304-252-6243

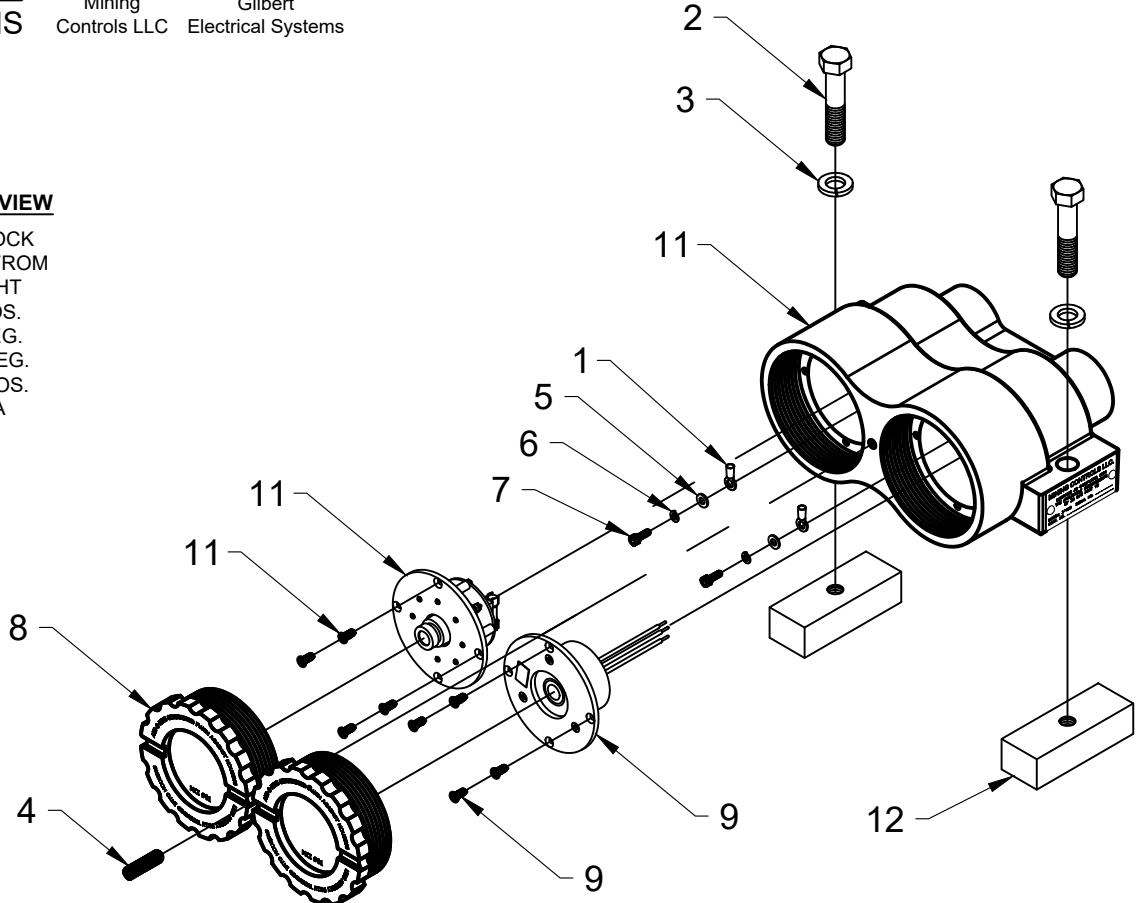
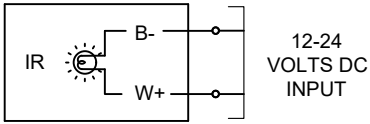


**ITEM 11 BACK VIEW**

TERMINAL BLOCK DESIGNATION FROM LEFT TO RIGHT  
1 = VIDEO POS.  
2 = VIDEO NEG.  
3 = POWER NEG.  
3 = POWER POS.  
FUSE = 500mA

CAMERA SPECIFICATION  
Lens = 3.7mm lens  
Power Supply = 12V. DC.(±10%). 120mA.  
See Sheet 2 for more INFO.

**ITEM 9 WIRING DIAGRAM**



XP MODEL NO. 37400  
XP APPROVAL NO. 18-XPA200003-0

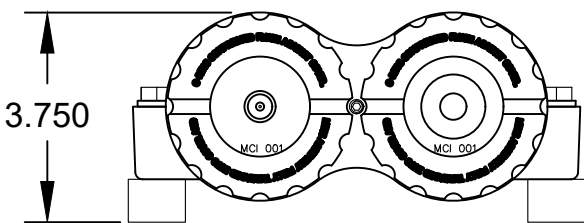
7015-37400-226

BRASS DUAL FIXTURE ASSEMBLY WITH HIGH DEFINITION CAMERA AND IR LAMP

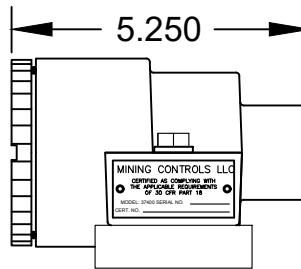
| Item | Qty. | Part Number  | Description                       |
|------|------|--------------|-----------------------------------|
| 1    | 2    | 1035-20301-1 | Ring Terminal for 16~14 AWG. Wire |
| 2    | 2    | 1041-50006-7 | 3/8-16 X 2" Long Hex Bolt         |
| 3    | 2    | 1041-50008   | 3/8 Lock Washer                   |
| 4    | 1    | 1041-50009-3 | 1/4-20 X 1" Long Set Screw        |
| 5    | 2    | 1041-50041   | # 6 Flat Washer                   |
| 6    | 2    | 1041-50042   | # 6 Lock Washer                   |

| Item | Qty. | Part Number   | Description                         |
|------|------|---------------|-------------------------------------|
| 7    | 2    | 1041-50237-1  | # 6-32 X 3/8" Socket Head Cap Screw |
| 8    | 2    | 2013-37401-9  | Brass Lens Ring Assembly            |
| 9    | 1    | 2021-37400-2  | Infrared Lamp Assembly              |
| 10   | 2    | 2022-32974    | 3/4" Mounting Pad                   |
| 11   | 1    | 2023-35404-22 | High Definition Camera Assembly     |
| 12   | 1    | 2023-37401-11 | Main Brass Housing With Cert. Tag   |

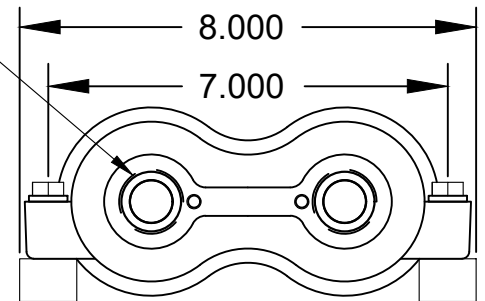
1-1/8"-12 THREADS TYP. 2 PLACES  
REFERENCES DRAWING C-26555



Front View



Side View



Back View