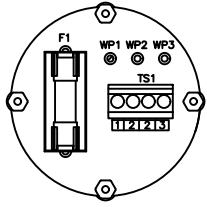


**Mining Controls LLC.**  
**P.O. Box 1141**  
**Beckley, WV 25802**  
**304-252-6243**

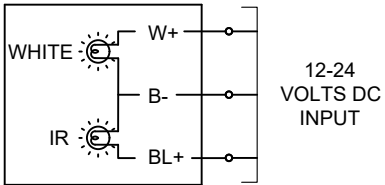


**ITEM 11 BACK VIEW**

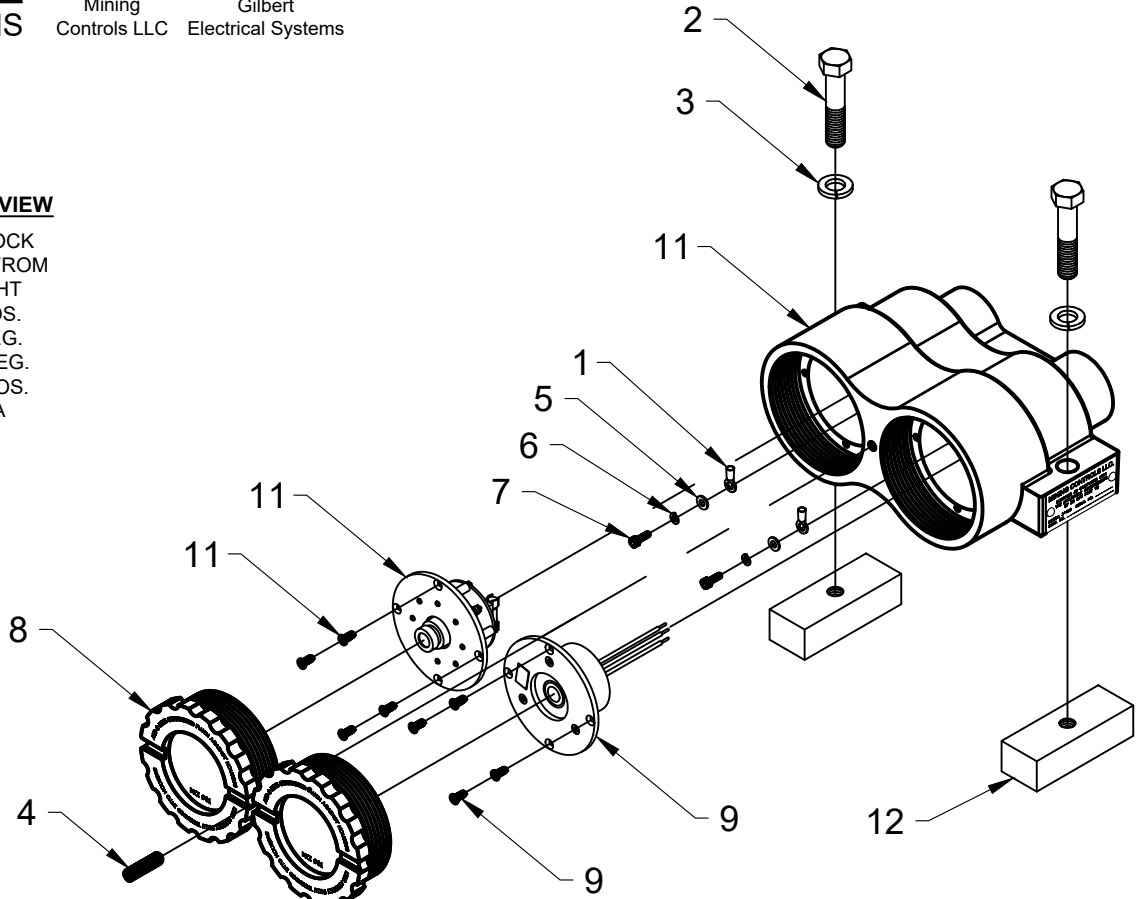
TERMINAL BLOCK DESIGNATION FROM LEFT TO RIGHT  
 1 = VIDEO POS.  
 2 = VIDEO NEG.  
 2 = POWER NEG.  
 3 = POWER POS.  
 FUSE = 500mA

**CAMERA SPECIFICATION**  
 Lens = 3.6mm lens  
 Resolution = 750 TVL  
 Shutter Speed = 1/60 ~ 1/10,000sec Auto.  
 Sensitivity = 0.05 Lux (30 IRE@F2.0)  
 Power Supply = 12V. DC.(±10%). 100mA.

**ITEM 9 WIRING DIAGRAM**



DO NOT POWER THE WHITE AND RED LED'S AT THE SAME TIME.



**XP MODEL NO. 37400**  
**XP APPROVAL NO. 18-XPA200003-0**

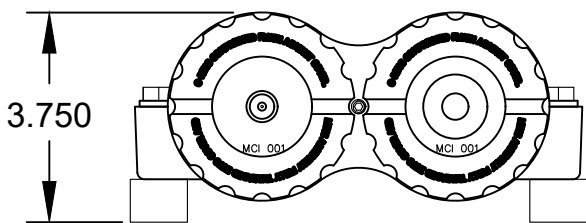
**7015-37400-135**

**ALUMINUM DUAL FIXTURE ASSEMBLY WITH COLOR CAMERA AND WHITE LED WITH IR LAMP**

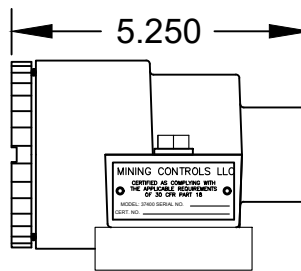
Item	Qty.	Part Number	Description
1	2	1035-20301-1	Ring Terminal for 16~14 AWG. Wire
2	2	1041-50006-7	3/8-16 X 2" Long Hex Bolt
3	2	1041-50008	3/8 Lock Washer
4	1	1041-50009-3	1/4-20 X 1" Long Set Screw
5	2	1041-50041	# 6 Flat Washer
6	2	1041-50042	# 6 Lock Washer

Item	Qty.	Part Number	Description
7	2	1041-50237-1	# 6-32 X 3/8" Socket Head Cap Screw
8	2	2013-37401-8	Aluminum Lens Ring Assembly
9	1	2021-37400-3	White LED With IR Lamp Assembly
10	2	2022-32974	3/4" Mounting Pad
11	1	2023-35404-21	Color Camera Assembly
12	1	2023-37401-10	Main Housing With Cert. Tag

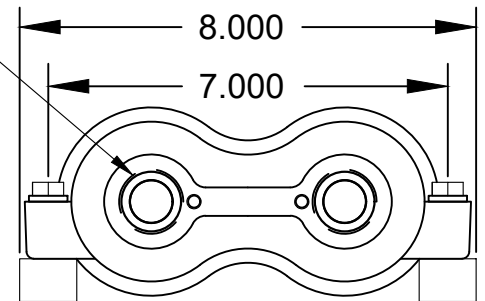
1-1/8"-12 THREADS TYP. 2 PLACES  
 REFERENCES DRAWING C-26555



**Front View**



**Side View**



**Back View**