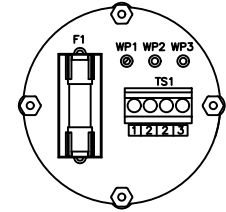


Mining Controls LLC.
P.O. Box 1141
Beckley, WV 25802
304-252-6243

ITEM 11 BACK VIEW

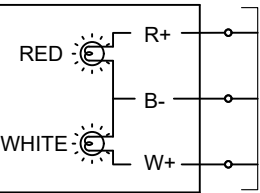
TERMINAL BLOCK DESIGNATION FROM LEFT TO RIGHT
 1 = VIDEO POS.
 2 = VIDEO NEG.
 3 = POWER NEG.
 3 = POWER POS.
 FUSE = 500mA



CAMERA SPECIFICATION

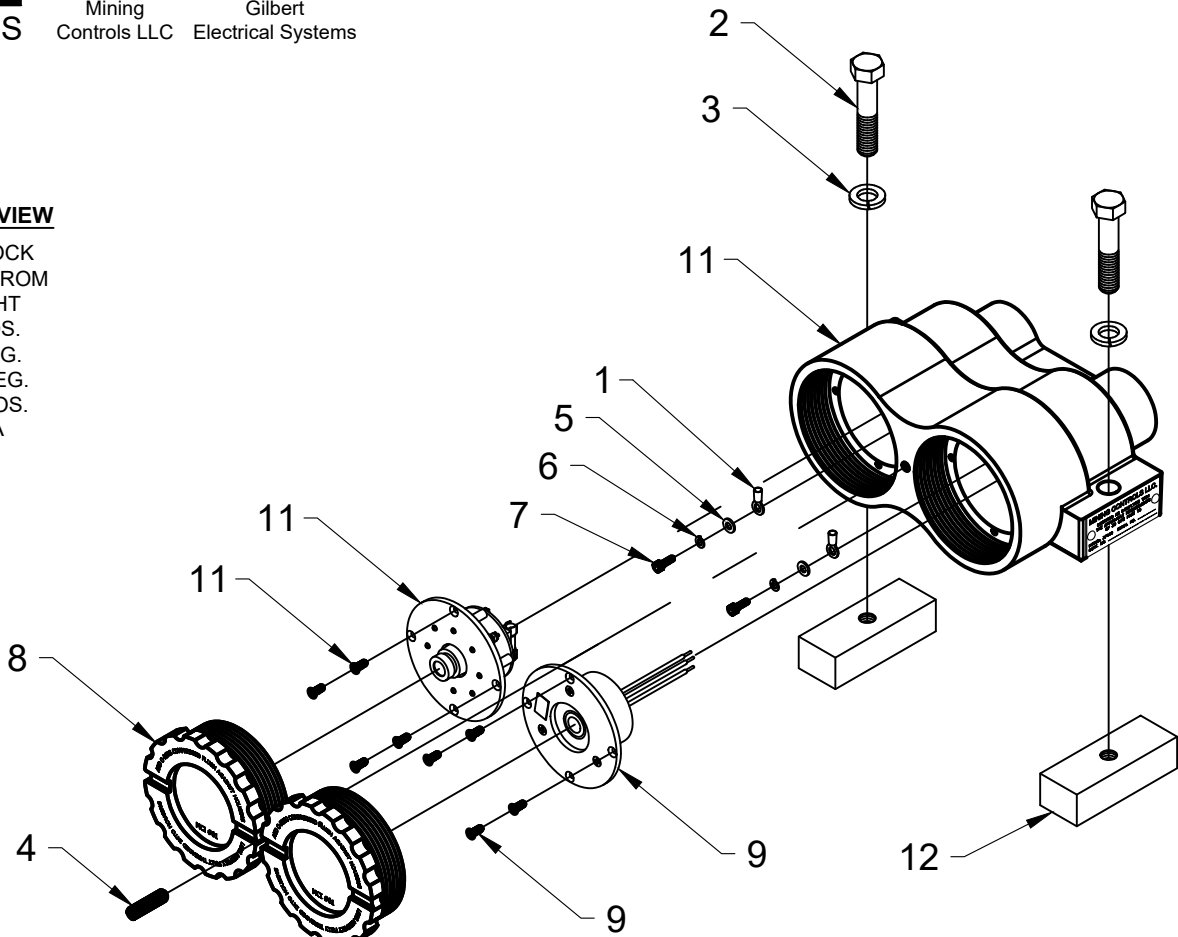
Lens = 3.6mm lens
 Resolution = 750 TVL
 Shutter Speed = 1/60 ~ 1/10,000sec Auto.
 Sensitivity = 0.05 Lux (30 IRE@F2.0)
 Power Supply = 12V. DC.(±10%). 100mA.

ITEM 9 WIRING DIAGRAM



12-24 VOLTS DC INPUT

DO NOT POWER THE WHITE AND RED LED'S AT THE SAME TIME.



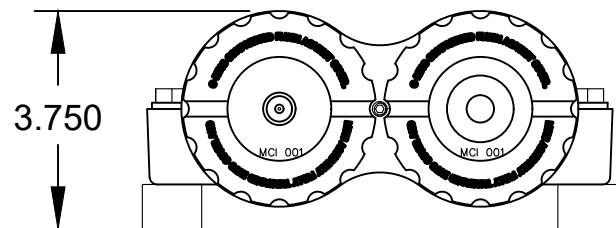
XP MODEL NO. 37400
XP APPROVAL NO. 18-XPA200003-0

ALUMINUM DUAL FIXTURE ASSEMBLY WITH COLOR CAMERA AND WHITE/RED LED LAMP

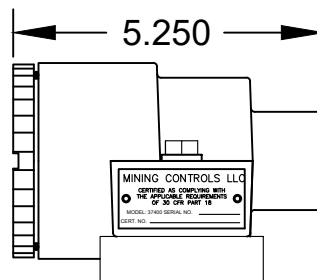
Item	Qty.	Part Number	Description
1	2	1035-20301-1	Ring Terminal for 16~14 AWG. Wire
2	2	1041-50006-7	3/8-16 X 2" Long Hex Bolt
3	2	1041-50008	3/8 Lock Washer
4	1	1041-50009-3	1/4-20 X 1" Long Set Screw
5	2	1041-50041	# 6 Flat Washer
6	2	1041-50042	# 6 Lock Washer

Item	Qty.	Part Number	Description
7	2	1041-50237-1	# 6-32 X 3/8" Socket Head Cap Screw
8	2	2013-37401-8	Aluminum Lens Ring Assembly
9	1	2021-37400-1	White/Red LED Lamp Assembly
10	2	2022-32974	3/4" Mounting Pad
11	1	2023-35404-21	Color Camera Assembly
12	1	2023-37401-10	Main Housing With Cert. Tag

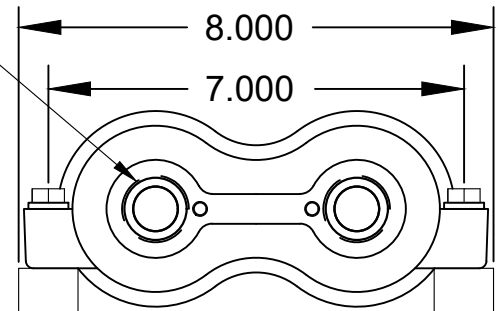
1-1/8"-12 THREADS TYP. 2 PLACES
 REFERENCES DRAWING C-26555



Front View



Side View



Back View