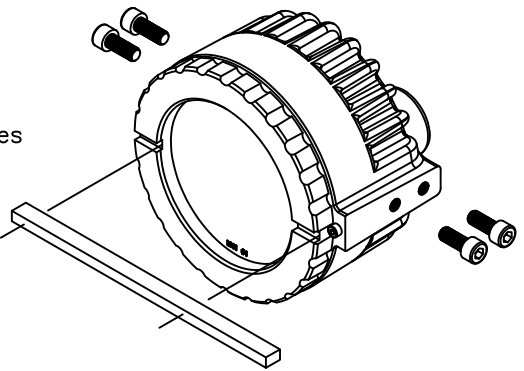


Model 36760 Luminaries Technical Data Sheet

Model 36760 Low Voltage Explosion Proof LED Luminaries UL Ratings
 PART NUMBER FOR ORDERING: 9020-36760
 Lamp Type: LED White and Red (Red can be used as a tail light)
 Lamp Dimensions: 5.625" [143.0mm] Diameter, 3.875" [98.5mm] Height
 Lamp Weight: Aluminum 6 lbs [2.72 kg]
 Cable Entrance Glands: M25 x 1.5 Threaded IP 67/68 (UL Rating Requires Barrier)
 Voltage: 9 – 30 Volts DC
 Wattage: 34.6 Watt LED 9-30 VDC Class 2 circuit 3.84A @ 9VDC LED Luminaries
 Brightness: 5000k Neutral White
 Lumens Per Watts: 130 lm
 Total Lumens: 2,600 lm
 Chip: White Cree XPD & Red Lumileds L135-R6250035
 Wiring: White Wires 9 ~ 30 VDC., Red Wires 9 ~ 30 VDC.
 Lighting Configuration: Work Light -25 C to +60 C Operating Temp
 Mounting: 4 each M8 Mounting Bolts (no restrictions for mounting location or direction.)

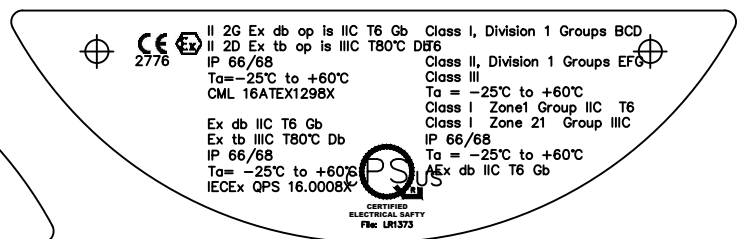
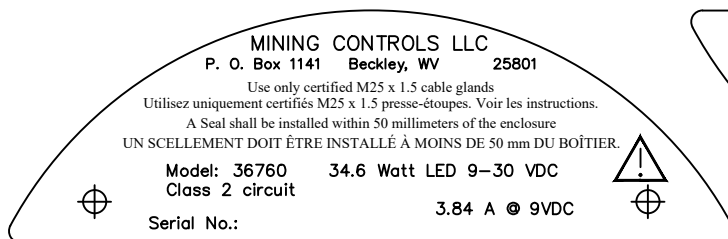
Guarding: Guarding by application



WHEN INSTALLING THE LENS RING ASSEMBLY USE A BAR (IE: METAL BAR, LARGE SCREW DRIVER OR WRENCH) PLACE BAR IN THE SLOT AT THE FACE OF THE LENS RING. TIGHTEN THE LENS RING AS TIGHT AS POSSIBLE AND INSTALL

INSTALLATION AND MAINTENANCE DATA SHEET

Mining Controls LLC
 P. O. Box 1141
 Beckley, WV 25801
 214 Industrial Park Rd
 Beaver, WV 25813



AEx tb IIIC

WARNING

"DO NOT OPEN WHEN ENERGIZED"

A Seal shall be installed within 50 millimeters of the enclosure
 UN SCCELLEMENT DOIT ÊTRE INSTALLÉ À MOINS DE 50 mm DU BOÎTIER.

No User Replaceable Items Inside

- DO NOT MODIFY UNIT IN AN WAY.
Modification may affect safety and reliability.
- Improper use or failure to follow the instructions could result in serious injury or property damage.
- Operator should be instructed in the safe and proper usage and maintenance of this product.
- Fixture lens: Any chipped, scratched or cracked in the lens will fail.
Replace any such defective Lens assembly.

WARNING ELECTRICAL

- Disconnect electrical power before installation, adjustment and maintenance.
- DO NOT overload: the amperage and voltage indicated on the nameplate must not be exceeded.
- Check continuity before connecting electrical power.
- All installations must comply with applicable local and / or National Electrical Code.
- Before installing check fixture unit nameplate and carton labels to be sure you have correct fixture and mounting hardware. Circuit must be deactivated before installing fixture.

WARNING

- To reduce the risk of fire or explosion, do not install where the operating temperature exceeds ignition temperature of hazardous atmospheres.
- Refer to the nameplate on the fixture for maximum operating temperature and for proper fixture classification

DIRECTIONS FOR FIXTURE INSTALLATION

- Use the installation drawing as a guide.
- Install fixture mounting bracket.
- Use mounting screws (4 each) to install fixture into mounting bracket.
- Remove lens ring locking screw, lens ring assembly and the four (4) small screws holding the lamp assembly in place. And remove lamp assembly.
Place all items in a secure location until needed for reassembly.
- Ensure the correct packing gland and/or reducer bushing is sized for cables used for application.
- Install cable through the packing gland, and gland entry.
For any unused cable gland entries blanking plugs must be installed.
- Install ground wire to the internal ground point by removing the ground screw located at the rear of main housing assembly. Use the ring terminal provided, crimp onto ground wire, and clamp into place at the grounding point with the grounding screw.
- Make wire connections from incoming cable using connectors provided or approved wire connectors.
- Install the lamp into the housing and lock in place with the four (4) mounting screws.

MAINTENANCE INSTRUCTIONS
 The electrical apparatus enclosure when installed in a hazardous location has design features that make it operationally safe under normal conditions. In order to ensure the apparatus remains serviceable the following points should be attended to on a periodic basis. The period between inspections is not fixed, but should be adjusted to suit the environmental conditions where the equipment is located. An initial inspection after 12 months of use is suggested.

KEEP THIS MANUAL FOR FUTURE REFERENCE